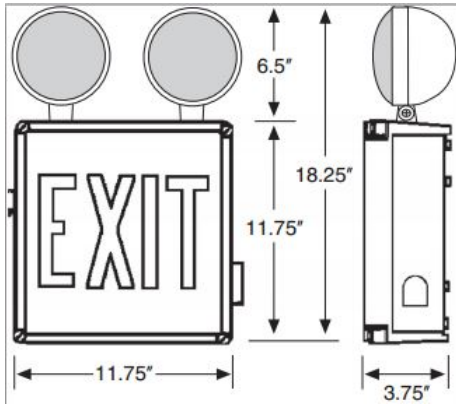


Wet Location Exit-Emergency Lights

Wet Location Exit-Emergency Lights

Job Name:
Type:



Features / Specifications:

ILLUMINATION

- Two fully-adjustable 5.4 watt, glare-free lamp heads.
- High-performance reflector and tempered glass lens for optimal light distribution.
- Ultra-bright, energy efficient, long-life Red or Green LED exit sign illumination.

ELECTRICAL

- Dual 120/277 voltage.
- Charge rate/power "ON" LED indicator light and push-to-test switch for mandated code compliance testing.
- 6V long-life, maintenance-free, rechargeable NiCd battery.
- Internal solid-state transfer switch automatically connects the internal battery to LED board/lamp heads for minimum 90-minute emergency illumination.
- Fully automatic solid-state, two-rate charger initiates battery charging to recharge a discharged battery in 24 hours.



Accessories:

MOUNTING

- Mounting hardware provided for back surface wall mount. HOUSING
- 5VA flame retardant, UV-stabilized polycarbonate gray finish.
- High-impact resistant, UV-stabilized polycarbonate clear lens.
- Corrosion-resistant enclosure engineering grade silicone gasket.
- Top and side K/O's provided for conduit feed applications.
- EZ snap-out Chevron directional indicators.

OPTIONS

- HTR: Optional internal heater for cold temperature applications.

WARRANTY/LISTING

- Five year warranty on all electronics and housing. Battery pro-rated for five years.
- Meets UL924, NFPA 101 Life Safety Code, NEC, OSHA, Local and State Codes.



Available Options:

Fill in the boxes with the options you need fax it to us at: 732-833-8085.

NHL-WC

Number of Faces:

1 Single Face

Letter Color:

G Green
R Red

of Heads:

2 Double Head

Housing Color:

W =White

Exit Sign/Emergency Options:

EM NiCad BatteryBackup
HTR Internal Heater
SDT Self-Diagnostics