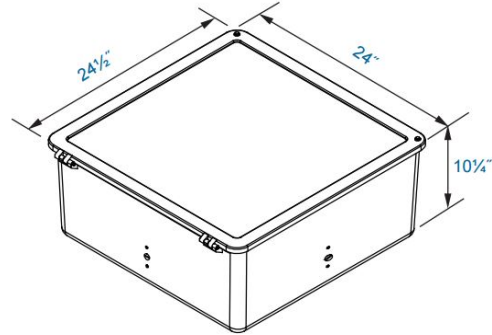


24 Inch LED Shoebox

Job Name:
Type:



Features / Specifications:

Housing: Die Cast Aluminum Housing & Hinged Front Frame, ½ inch Coin Plugs for Conduit & Photocell, Textured Architectural Bronze Powdercoat Finish Over a Chromate Conversion Coating. Custom Colors Available Upon Request.

Lens: Clear Flat Glass Lens or Clear Flat Prismatic Glass Lens

Mounting: Mount with Extruded Mounting Arms or Direct Pole Mount Arm, Consult factory for additional options and brackets

Array Lumens: 21,760 (F Optic) **Delivered Lumens:** 16,172 (F, Clear) **CRI:** 74 **CCT:** 5000K **Rated Life:** 50,000 Hours 5-Year Warranty Aluminum Boards

Wattage: Array: 185.8w, **System:** 195w

Driver: Electronic Driver, 120-277V, 50/60Hz or 347/480V, 50/60Hz; Dimmable Driver

Listing & Ratings: CSA: Listed for Wet Locations

Options: Surge Protection, Double Fuse, Single Fuse, Glare Shield, R7 Twist Lock Photocell



Applications:

Building Facades
Landscaping
Signs and display
Parking Areas
Walkways
Loading Docks

Accessories:

TM-Trunion Mount
GS-Glare Shield
SF-Adjustable Slipfitter
6A-6 inch Arm
10A-10 inch Arm
12A-12 inch Arm
PC-Photocell
*Consult Factory for additional mounting options and accessories.



Available Options:

Fill in the boxes with the options you need fax it to us at: 732-833-8085.

NHL-AL90Q

Optic Type:

C Type 3
F Type 5

Wattage:

1X186 One 186 Watt Array

Voltage:

480 =347-480
UNV =120-277

Color Temp:

50K =5,000K

Lens:

C Clear Lens
P Prismatic Lens

Housing Color:

CC =Custom Color
Z =Bronze

LED Options:

DF =Double Fuse
GS =Glare Shield
PC =Photocell
R7 =7-Pin ANSI C136.41â€”2013 Twist Lock Photocell
Receptacle with P18132 shorting cap
SF =Single Fuse
SP =Surge Protection

Mounting:

MA 2 3/8 Inch Mounting
Arm
SF =Slip Fitter