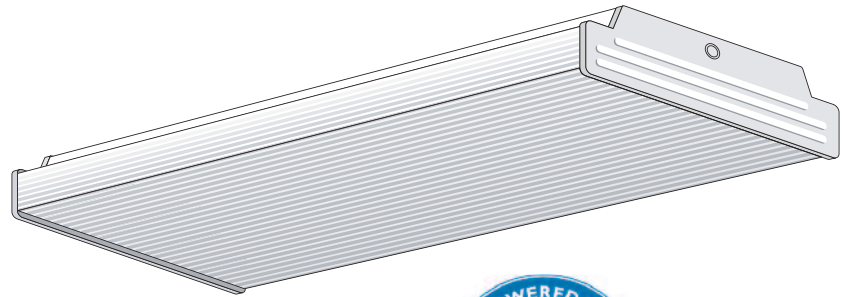
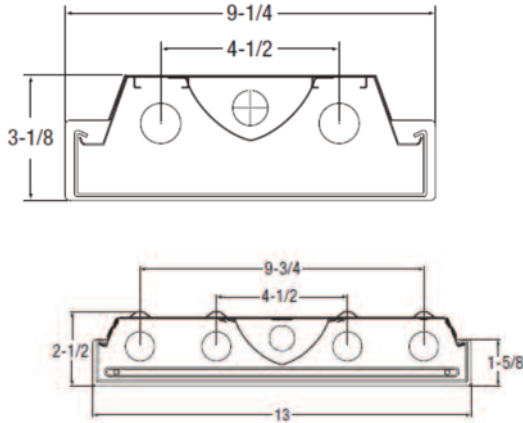




Wraparound Series



Motion sensor available option



Specifications

- **Housing:** Die-formed heavy-gauge steel. Side flanges add maximum rigidity.
- **Ends:** Snap-on tightly to the housing. Formed tabs hold two slide-on sockets.
- **Ballast Cover:** Snaps into housing to cover ballast and wires.
- **Finish:** White polyester polymer with a minimum of 82% reflectivity.
- **Mounting:** Units may be surface or stem mounted, individually or in continuous rows.

T8 Series

- Model #
- NHL-WL-2-17T8-UNV
 - NHL-WL-2-32T8-UNV
 - NHL-WL-2T-32T8-UNV
 - NHL-WL-4-32T8-UNV

Accessories

- DIM-Dimming Ballast
- REF-Reflector System (consult with factory for options)
- EM-Emergency Ballast
- SM-Stem Mounting Kit
- ACH-Aircraft Cable Hangers

Features

A low-profile, narrow, 2-light fluorescent wraparound. All parts snap together for ease of installation and maintenance. Housing accepts lift-and-shift lenses and frames, as well as frames that fit flush to the ceiling.

390-311

New Horizon Lighting, 632 Cedar Swamp Road, Jackson NJ
www.newhorizonlighting.com Voice: 732-833-8086 Fax: 732-833-8085