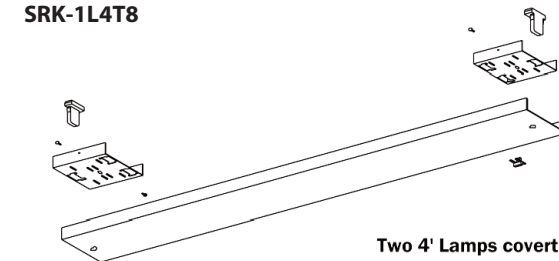




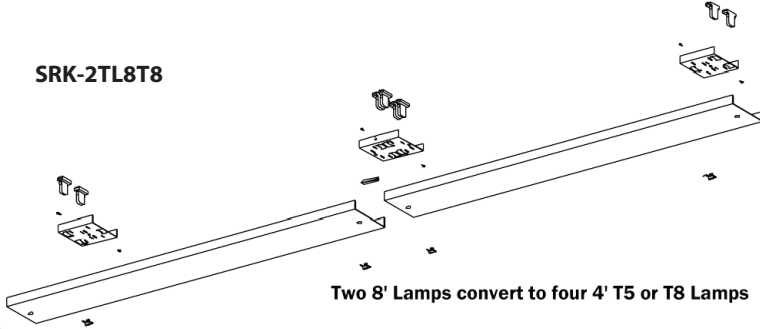
Standard Strip Retrofit Kits

SRK-1L4T8



Two 4' Lamps convert to one 4' T5 or T8 Lamp

SRK-2TL8T8



Two 8' Lamps convert to four 4' T5 or T8 Lamps



Motion sensor available option



For the most cost effective, easy-to-transport strip conversion, New Horizon Lighting offers the Standard Strip Retrofit Kits. This simple kit upgrade provides tool-less maintenance. An ideal solution to the challenge of converting a strip fixture into the energy efficient lighting we need now. The Standard Strip Retrofit Kit fits all 4" to 4.25" 1, 2 and 4 lamp strip fixtures.

Features

- Ballast Cover pre-punched for quarter turn fastener
- Made from pre-painted white steel with 91% reflectance
- Quality bi-pin lampholders included
- Uses socket plates separate from covers.

Benefits

- Provides easy method to upgrade existing strips
- No special tooling required
- Lampholder brackets and ballast cover assembled on site for ease of handling
- Meets U.L. #1598 standards

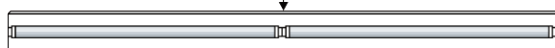
All kits are shipped with standard ballasts unless otherwise specified.

Convert-A-Strip Configurations

Order SRK-1TL8(T8, T5, T5HO)



Converts to

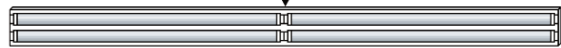


Single Lamp T12 to Two T5 or T8 Lamps

Order SRK-2TL8(T8, T5, T5HO)



Converts to



Double Lamp T12 to Four T5 or T8 Lamps

Description

4ft 1 Lamp T8
4ft 2 Lamp T8
4ft 1 Lamp T5/T5HO
4ft 2 Lamp T5/T5HO

Model Number

SRK-1L4T8
SRK-2L4T8
SRK-1L4T5/T5HO
SRK-2L4T5/T5HO

8ft 2 Lamp T8 (1T) SRK-1TL8T8
8ft 4 Lamp T8 (2T) SRK-2TL8T8
8ft 2 Lamp T5/T5HO (1T) SRK-1TL8T5/T5HO
8ft 4 Lamp T5/T5HO (2T) SRK-2TL8T5/T5HO

Accessories

Lamps LP
Adjustable Width AWSB
Socket Bar
High Power Factor HPF
Ballast
Motion Sensor SEN

Model Number

LP
AWSB
HPF
SEN

srk-211

New Horizon Lighting, 632 Cedar Swamp Road, Jackson NJ
www.newhorizonlighting.com Voice: 732-833-8086 Fax: 732-833-8085