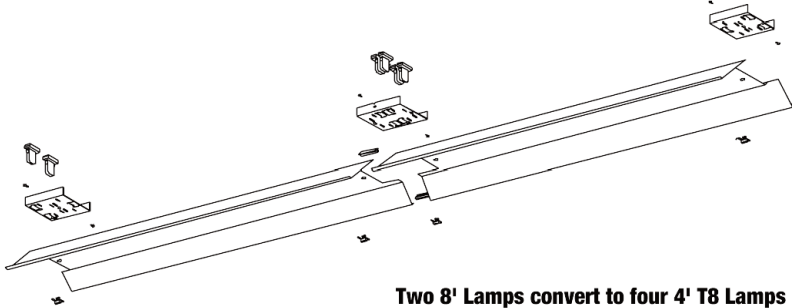




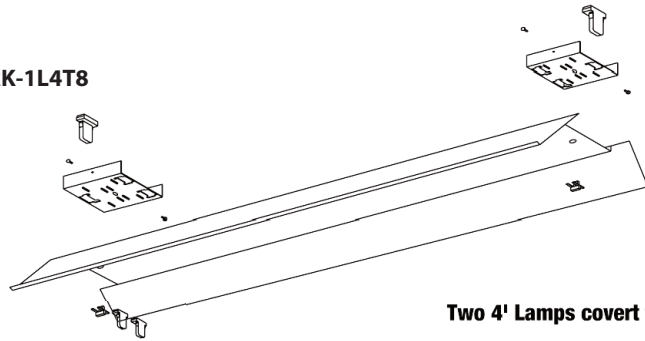
# Standard Industrial Retrofit Kits

SIRK-2TL8T8



Two 8' Lamps convert to four 4' T8 Lamps

SIRK-1L4T8



Two 4' Lamps convert to one 4' T8 Lamp



Motion sensor available option

## Features

Convert 4-1/4" wide strip fixtures to 1 or 2 T8 lamps easily, quickly and economically. New Horizon Lighting offers two out-standing reflector kits to retrofit 8' or 4' strip fixtures to more efficient T8 lamps. The Standard Industrial Retrofit Kit is a complete reflector system, including socket plates for lamp relocation, to provide maximum efficiency. Used to either improve the usable reflected light or to delamp fluorescent strip fixtures. This retrofit system allows for removal and discarding of the ballast cover, relocation of lamps, optimizing light output and reducing energy consumption to comply with utility rebate requirements. Designed and manufactured in compliance with U.L. Standards for retrofit reflectors. The Standard Industrial Retrofit Kit is U.L. Classified as a ballast cover.

All kits are shipped with standard ballasts unless otherwise specified.



## Description

Description	Model Number
4ft 1 Lamp T8	SIRK-1L4T8
4ft 2 Lamp T8	SIRK-2L4T8
4ft 1 Lamp T5/T5HO	SIRK-1L4T5/T5HO
4ft 2 Lamp T5/T5HO	SIRK-2L4T5/T5HO
8ft 2 Lamp T8 (1T)	SIRK-1TL8T8
8ft 4 Lamp T8 (2T)	SIRK-2TL8T8
8ft 2 Lamp T5/T5HO (1T)	SIRK-1TL8T5/T5HO
8ft 4 Lamp T5/T5HO (2T)	SIRK-2TL8T5/T5HO

## Accessories

Accessories	Model Number
White Reflector	WR
Silver Reflector	SR
Lamps	LP
Adjustable Width	AWSB
Socket Bar	
High Power Factor Ballast	HPF
Motion Sensor	SEN

SIRK-211

**New Horizon Lighting, 632 Cedar Swamp Road, Jackson NJ**  
**www.newhorizonlighting.com Voice: 732-833-8086 Fax: 732-833-8085**