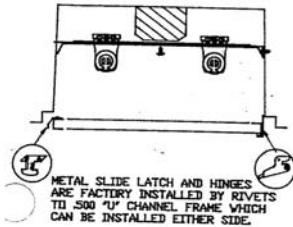
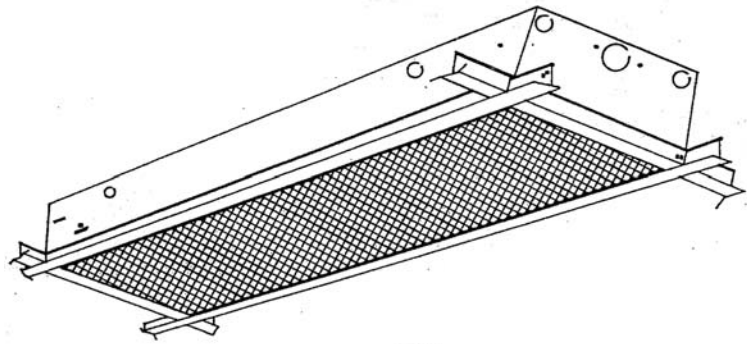


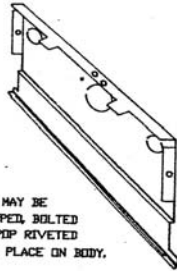


RL14 - 1'x4'

Spec grade deep recessed troffer



5.500



Specifications

- **Housing:** High quality 20 gauge CRS construction. Unit is 5 1/2" deep. all metal parts receive durable high gloss powder coat post painted finish over rust inhibiting phosphate coat. Minimum reflectance is 90%.
- **Shielding:** Clear acrylic prismatic lens with .125" deep cut #12 pattern in stalled in steel door with overlapping mitered corners, t-type hinges and positive-fit cam latches. Light traps and gasketing installed.
- **Electrical:** Fully wired for UNV 120-277V, 50-60Hz operation with thermally protected, automatic resetting Class P, sound rated A ballast as standard unless otherwise specified. UL listed.
- **Mounting:** Lay-in troffer for NEMA type G T-bar ceilings. Integral earthquake clips. GCK kit available for sheetrock ceilings.

T8 Lamping

Model#

NHL-RL-2-32T8-UNV

NHL-RL-3-32T8-UNV

NHL-RL-4-32T8-UNV

T5HO Lamping

Model#

NHL-RL-2-54T5HO-UNV

NHL-RL-3-54T5HO-UNV

NHL-RL-4-54T5HO-UNV

T5 Lamping

Model#

NHL-RL-2-28T5-UNV

NHL-RL-3-28T5-UNV

NHL-RL-4-28T5-UNV

Accessories

HPF - High Power Factor

EM - EM Ballast

LPF - Low Power Factor

SR (Miro 4 Reflector)

DIM - Dimming Ballast

Features

Lamps Installed (Specify Lamps) (U-lamp and TT lamps not installed). 3/8", 6' flex with two #18, one ground and two connectors. 3/8", 6' flex with three #18, one ground and two connectors. Lens gasketing. Lens and door gasketing. Lens, door, and frame gasketing. Master; includes 9' intertie and snap-in connector. Satellite; includes snap-in connector.

r14-0710

New Horizon Lighting, 632 Cedar Swamp Road, Jackson NJ
www.newhorizonlighting.com Voice: 732-833-8086 Fax: 732-833-8085