



**New Horizon
Lighting**

SWP Small 16W LED Wall Pack

The SWP series is a corrosion resistant small LED based wall pack designed to provide the long life and high reliability required in industrial and commercial applications. The housing can be mounted directly over a standard 4" outlet box or surface wired through 1/2" conduit entries.

Suitable for wet locations, IP66 rated, these lights provide illumination for safety and security along building perimeters.

Features & Benefits

- Uses up to 88% less energy when compared to the HID equivalent
- Instant on/off operation
- Resistant to shock and vibration
- Surge Protection
- Unique optical design provides optimum light distribution
- 4000K color temperature ‡
- Power factor 0.98 (typ)
- Produces no UV radiation
- Contains no Mercury
- 5 year limited warranty

Applications

- Parking areas
- Entrances
- Walkways
- Underpasses
- Loading docks
- Recreation areas

For photometric data and IES files, please contact the factory.

Part Number Listing

Model No.	Light Output	Operating Voltage
NHL-SWP-4K-LED	1600 lm	90~305 VAC 50/60Hz



Product Specifications

Housing:

Durable die cast aluminum with 1/2" threaded conduit entries for surface wiring. A continuous one piece gasket ensures a weather tight seal

Lens:

Clear Prismatic Borosilicate glass refractor

LEDs:

Array of 16 x 1 watt Philips Lumileds, providing 1600 lm.

Operating Voltage:

90 ~ 305 VAC 50/60Hz

Finish:

Dark bronze powder paint finish is standard*

Approvals / Ratings:

IP66 rated



UNDERWRITERS
LABORATORIES



Conforms to UL8750 & EN61347 safety regulations

* Other finishes may be available. Contact the factory for details. ‡ Contact factory for details and other options.

So that we may continue to supply the best available products, specifications may change. Contact our engineering staff if you require further application information.

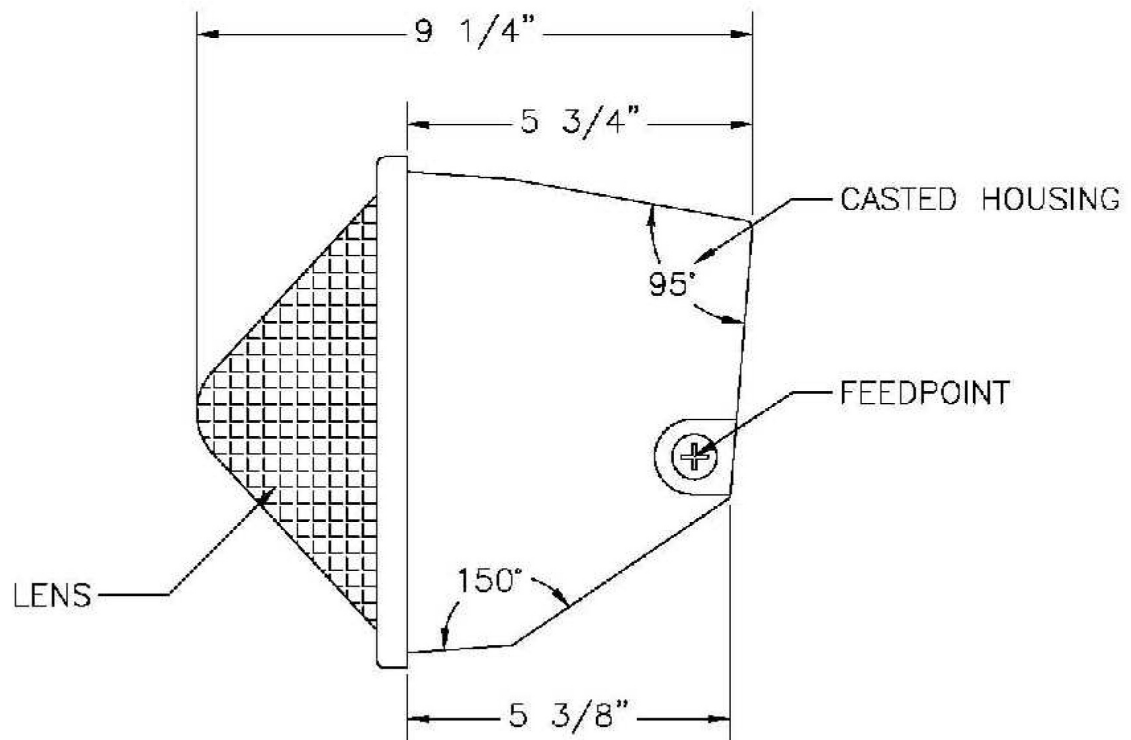
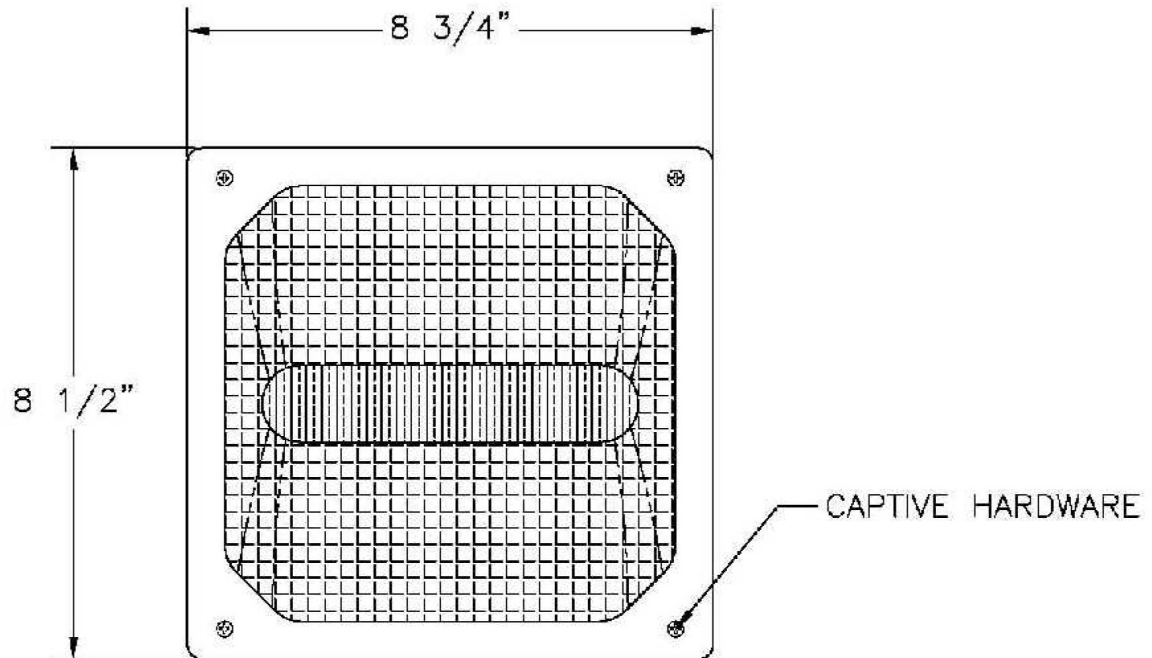
SWP1011

New Horizon Lighting, 632 Cedar Swamp Road, Jackson NJ
www.newhorizonlighting.com Phone: 732-833-8086 Fax: 732-833-8085



SWP Small 16W LED Wall Pack

Dimensions



SWP1011