



# MFL Medium 32 Watt LED Square Flood Light

The MFL is a corrosion resistant small square flood light, 9"x9", designed to meet the rugged flood light demands found in both industrial and commercial applications.

Suitable for wet locations, these lights provide illumination for safety and security.

Heavy duty swivel provides directional flexibility.

## Features & Benefits

- Uses up to 88% less energy when compared to the HID equivalent
- Instant on/off operation
- Resistant to shock and vibration
- Surge Protection
- Unique optical design provides optimum light distribution
- 4000K color temperature ‡
- Power factor 0.98 (typ)
- Produces no UV radiation
- Contains no Mercury
- 5 year limited warranty

## Applications

- Building facades
- Landscaping
- Signs and display
- Parking areas
- Walkways
- Loading docks

For photometric data and IES files, please contact the factory.



## Product Specifications

### Housing:

Durable die cast aluminum with a silicon gasket to ensure a weather tight seal. Integral locking teeth swivel provides multiple adjustment intervals.

### Lens:

Clear heat and impact resistant tempered glass

### LEDs:

Array of 32 x 1 watt Philips Lumileds, providing 3200 lm.

### Operating Voltage:

90 ~ 305 VAC 50/60Hz

### Finish:

Dark bronze powder paint finish is standard\*

### Approvals / Ratings:

IP66 rated



UNDERWRITERS  
LABORATORIES



Conforms to UL8750 & EN61347 safety regulations

## Part Number Listing

Model No.	Light Output	Operating Voltage
NHL-MFL-4K-LED	3200 lm	90~305 VAC 50/60 Hz

\* Other finishes may be available. Contact the factory for details. ‡ Contact factory for details and other options. So that we may continue to supply the best available products, specifications may change. Contact our engineering staff if you require further application information.

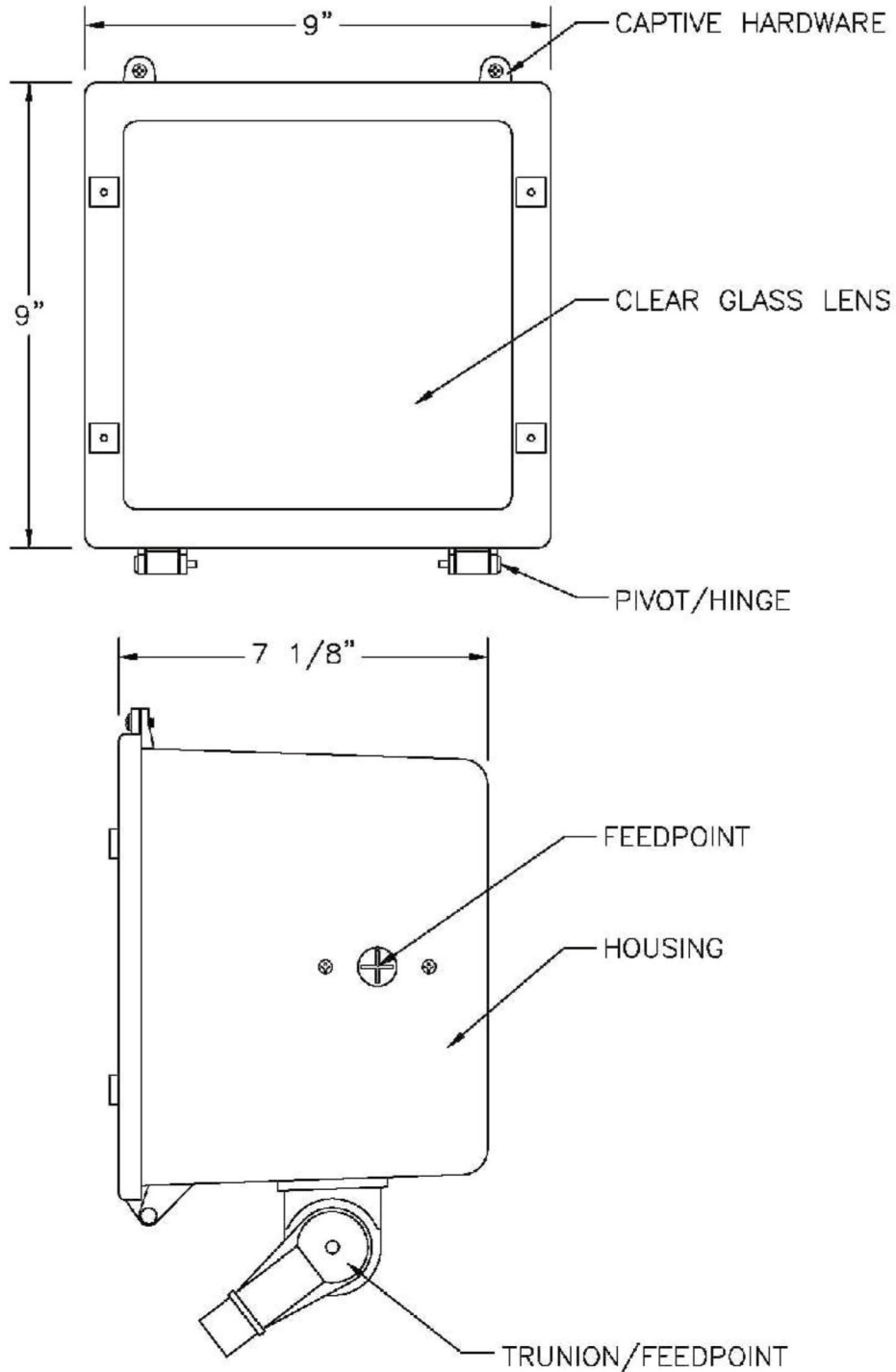
MFL1011

**New Horizon Lighting, 632 Cedar Swamp Road, Jackson NJ**  
**www.newhorizonlighting.com Phone: 732-833-8086 Fax: 732-833-8085**



# MFL Medium 32 Watt LED Square Flood Light

## Dimensions



MFL1011

**New Horizon Lighting, 632 Cedar Swamp Road, Jackson NJ**  
**www.newhorizonlighting.com Phone: 732-833-8086 Fax: 732-833-8085**