



**New Horizon  
Lighting**

# LS-Series Large European 32 W Trapezoid Wall Sconce Full Cut Off

The LS-Series is vandal and corrosion resistant large wall sconce, designed to meet the rugged demands of industrial and commercial applications with a European flair.

The housing can be mounted directly over a standard 4" outlet box. Suitable for wet locations, these lights provide illumination for safety and security along building perimeters.

The unique zero sight line feature allows this product to meet the local "Dark Sky" requirements.

## Features & Benefits

- Uses up to 88% less energy when compared to the HID equivalent
- Instant on/off operation
- Resistant to shock and vibration
- Surge Protection
- Unique optical design provides optimum light distribution
- 4000K color temperature ‡
- Power factor 0.98 (typ)
- Produces no UV radiation
- Contains no Mercury
- 5 year limited warranty

## Applications

- Parking areas
- Entrances
- Walkways
- Underpasses
- Loading docks
- Recreation areas

For photometric data and IES files, please contact the factory.



## Product Specifications

### Housing:

Durable die cast aluminum with a continuous one piece gasket ensures a weather tight seal.

### Lens:

Clear tempered glass lens

### LEDs:

Array of 32 x 1 watt Philips Lumileds, providing 3200 lm.

### Operating Voltage:

90 ~ 305 VAC 50/60Hz

### Finish:

Dark bronze powder paint finish is standard\*

### Approvals / Ratings:

IP66 rated



UNDERWRITERS  
LABORATORIES



Conforms to UL8750 & EN61347 safety regulations

## Part Number Listing

Model No.	Light Output	Operating Voltage
NHL-LS-4K-LED	3200 lm	90~305 VAC 50/60 Hz

\* Other finishes may be available. Contact the factory for details. ‡ Contact factory for details and other options.

So that we may continue to supply the best available products, specifications may change. Contact our engineering staff if you require further application information.

ls-series1011

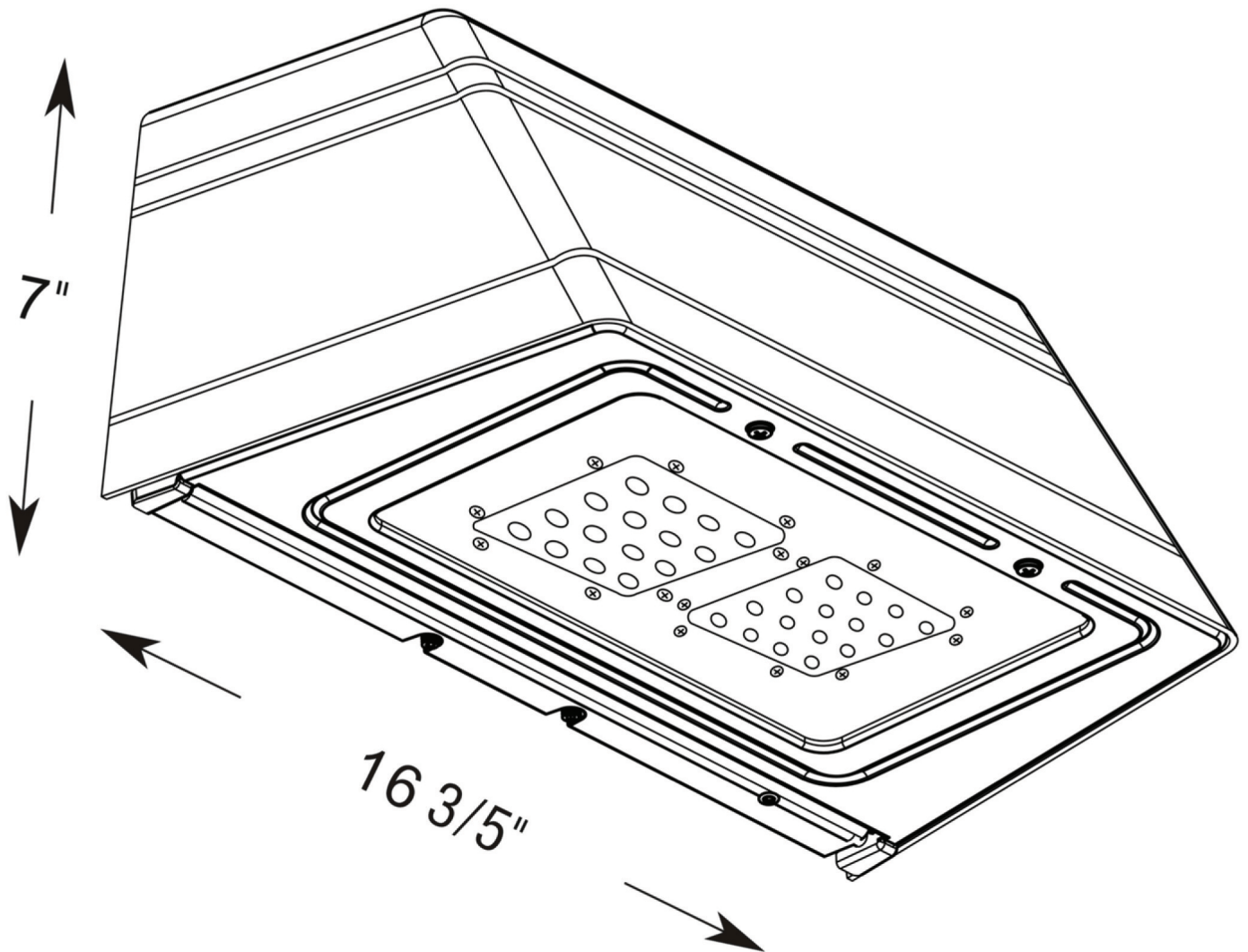
**New Horizon Lighting, 632 Cedar Swamp Road, Jackson NJ**  
**www.newhorizonlighting.com Phone: 732-833-8086 Fax: 732-833-8085**



**New Horizon  
Lighting**

# LS-Series Large European 32 W Trapezoid Wall Sconce Full Cut Off

## Dimensions



ls-series1011

**New Horizon Lighting, 632 Cedar Swamp Road, Jackson NJ**  
**www.newhorizonlighting.com Phone: 732-833-8086 Fax: 732-833-8085**