



L-Wedge 48 Watt Large Full Cut Off LED Wall Pack

The L-Wedge series is corrosion resistant large wall pack designed to meet the rugged demands of industrial and commercial applications.

Suitable for wet locations, these lights provide illumination for safety and security along building perimeters.

The unique zero sight line feature allows this product to meet the local "Dark Sky" requirements.



Features & Benefits

- Uses up to 88% less energy when compared to the HID equivalent
- Instant on/off operation
- Resistant to shock and vibration
- Surge Protection
- Unique optical design provides optimum light distribution
- 4000K color temperature ‡
- Power factor 0.98 (typ)
- Produces no UV radiation
- Contains no Mercury
- 5 year limited warranty

Applications

- Parking areas
- Entrances
- Walkways
- Underpasses
- Loading docks
- Recreation areas

Product Specifications

Housing:

Durable die cast aluminum with three 1/2" threaded conduit entries for surface wiring. A continuous one piece gasket ensures a weather tight seal.

Lens:

Clear heat and impact resistant tempered glass refractor

LEDs:

Array of 48 x 1 watt Philips Lumileds, providing 4800 lm.

Operating Voltage:

90 ~ 305 VAC 50/60Hz

Finish:

Dark bronze powder paint finish is standard*

Approvals / Ratings:

IP66 rated



UNDERWRITERS
LABORATORIES



Conforms to UL8750 & EN61347 safety regulations

For photometric data and IES files, please contact the factory.

Part Number Listing

Model No.	Light Output	Operating Voltage
NHL-L-Wedge-4K-LED	4800 lm	90~305 VAC 50/60 Hz

* Other finishes may be available. Contact the factory for details. ‡ Contact factory for details and other options. So that we may continue to supply the best available products, specifications may change. Contact our engineering staff if you require further application information.

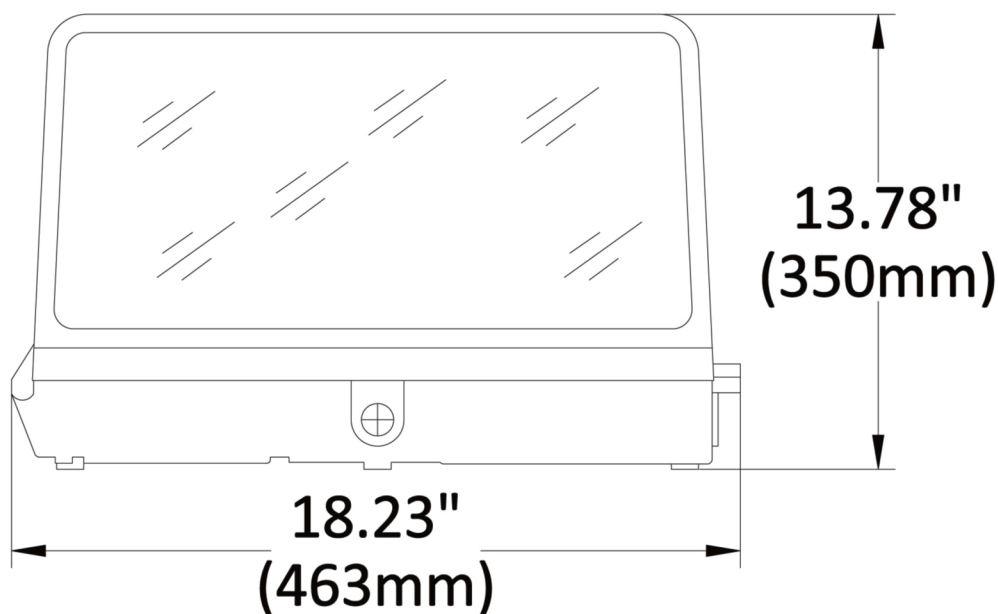
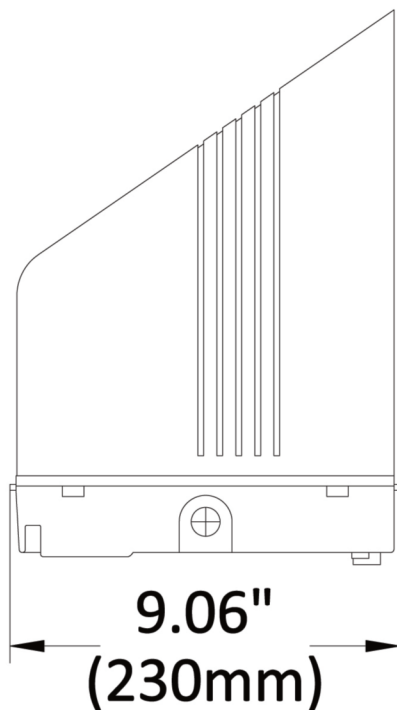
I-wedge1011

New Horizon Lighting, 632 Cedar Swamp Road, Jackson NJ
www.newhorizonlighting.com Phone: 732-833-8086 Fax: 732-833-8085



L-Wedge 48 Watt Large Full Cut Off LED Wall Pack

Dimensions



l-wedge1011

New Horizon Lighting, 632 Cedar Swamp Road, Jackson NJ
www.newhorizonlighting.com Phone: 732-833-8086 Fax: 732-833-8085