



**New Horizon
Lighting**

8SVR Vandal Resistant 16W LED Fixture

The 8SVR series is an 8"x8" vandal resistant fixture that can be mounted on the wall or ceiling. It is designed to provide long life and high reliability in those applications where an extra level of protection and security is required.

The housing can be mounted directly over a standard 4" outlet box or surface wired through 1/2" conduit entries. Suitable for wet locations, these lights are typically mounted 8 – 14 feet high.

Features & Benefits

- Uses up to 88% less energy when compared to the HID equivalent
- Instant on/off operation
- Resistant to shock and vibration
- Surge Protection
- Unique optical design provides optimum light distribution
- 4000K color temperature ‡
- Power factor 0.98 (typ)
- Produces no UV radiation
- Contains no Mercury
- 5 year limited warranty

Applications

- Schools
- Shopping Centers
- Correctional Facilities
- Parks and Swimming Pools Facilities
- Any Public Building

For photometric data and IES files, please contact the factory.



Product Specifications

Housing:

Durable die cast aluminum with 1/2" threaded conduit entries for surface wiring. A continuous one piece gasket ensures a weather tight seal.

Lens:

Clear Prismatic polycarbonate diffuser with UV inhibitors

LEDs:

Array of 16 x 1 watt Philips Lumileds, providing 1600 lm.

Operating Voltage:

90 ~ 305 VAC 50/60Hz

Finish:

Dark bronze powder paint finish is standard*

Approvals / Ratings:

IP66 rated



UNDERWRITERS
LABORATORIES



Conforms to UL8750 & EN61347 safety regulations

Part Number Listing

Model No.	Light Output	Operating Voltage
NHL-8SVR-4K-LED	1600 lm	90~305 VAC

* Other finishes may be available. Contact the factory for details. ‡ Contact factory for details and other options.

So that we may continue to supply the best available products, specifications may change. Contact our engineering staff if you require further application information.

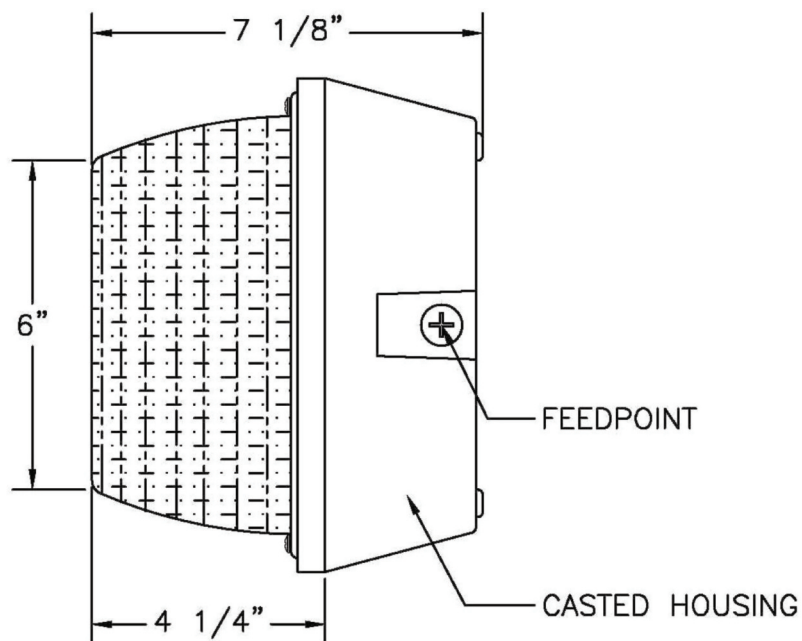
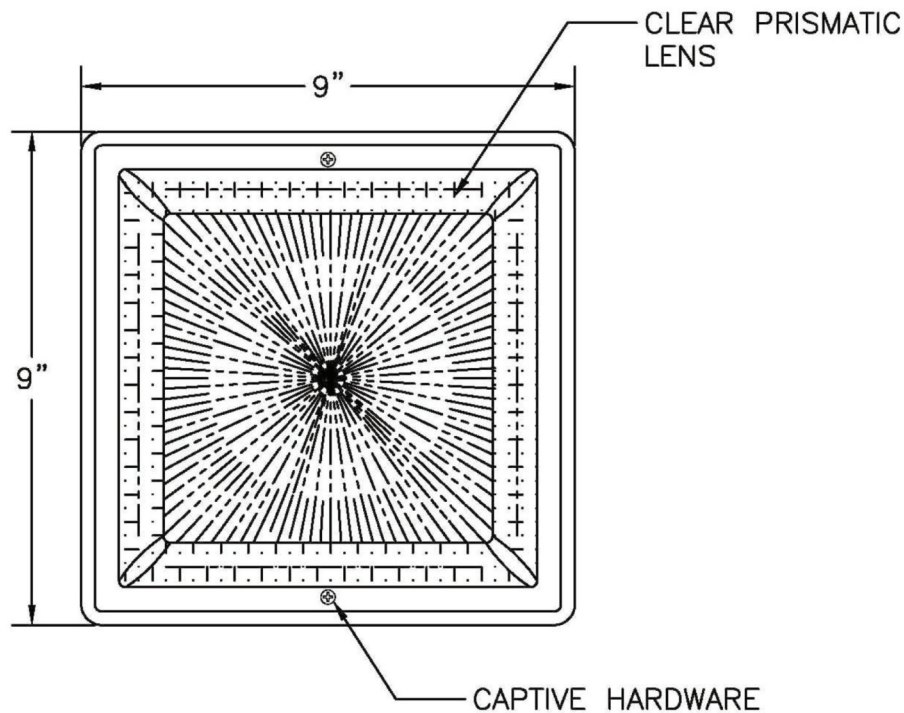
8svr1011

New Horizon Lighting, 632 Cedar Swamp Road, Jackson NJ
www.newhorizonlighting.com Phone: 732-833-8086 Fax: 732-833-8085



8SVR Vandal Resistant 16W LED Fixture

Dimensions



8svr1011