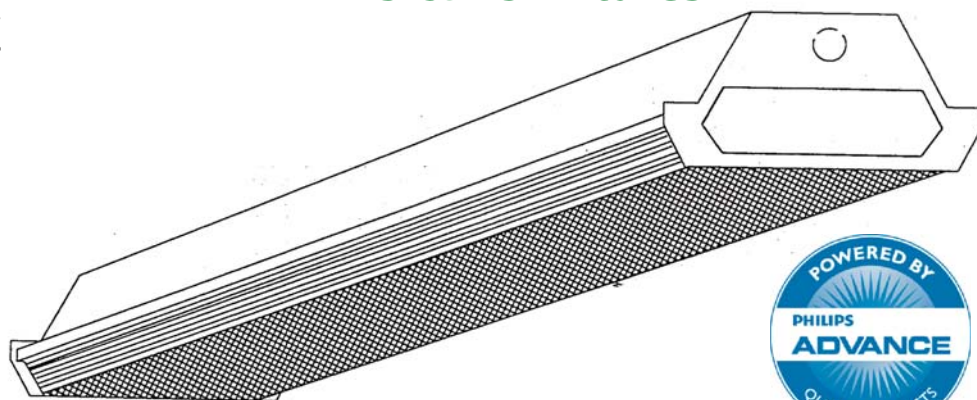
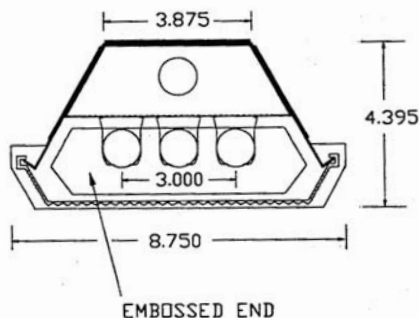




NHL-ECW Wrap T5 & T8 Fixtures



Motion sensor available option



Energy Reflector Friendly

- 20 Gauge baked white enamel cold rolled steel body and ends.
- 20 Gauge socket bars are standard.
- Surface or Pendant mounting, individual or continuous run.
- One piece body for 2', 3', 4', 6', and 8' lengths.
- Lens is clear #8 pattern, regular acrylic. Impact modified acrylic also available.

ECW Wrap - T5

Model #

- NHL-ECW-1-54T5HO-UNV-LP (4')
- NHL-ECW-2-54T5HO-UNV-LP (4')
- NHL-ECW-3-54T5HO-UNV-LP (4')
- NHL-ECW-1T-54T5HO-UNV-LP (8')
- NHL-ECW-2T-54T5HO-UNV-LP (8')
- NHL-ECW-3T-54T5HO-UNV-LP (8')

Accessories

- Hi/Lo Step Ballast (120/277V)
- HPF T8 Ballast (High Power Factor)
- 480v Ballast
- ACH (Air Craft Cable Hangers) 60"-241"
- C/S (Cord-Set) Specify Plug Configuration
- SEN (Motion Sensor) Specify Application
- EM Ballast (1350 Lumen) Specify Voltage
- SR (Miro 4 Reflector)

ECW Wrap - T8

Model #

- NHL-ECW-1-32T8-UNV-LP (4')
- NHL-ECW-2-32T8-UNV-LP (4')
- NHL-ECW-3-32T8-UNV-LP (4')
- NHL-ECW-1T-32T8-UNV-LP (8')
- NHL-ECW-2T-32T8-UNV-LP (8')
- NHL-ECW-3T-32T8-UNV-LP (8')

ECW0710

New Horizon Lighting, 632 Cedar Swamp Road, Jackson NJ
www.newhorizonlighting.com Voice: 732-833-8086 Fax: 732-833-8085